

Model 6876 BARIATRIC FLIP SEAT SCALE

PATIENT WEIGHT

Sitting/Standing/Wheelchair Transfer Access

HYBRID DESIGN

Seat flips up and down to allow seated or standing weighing.



BARIATRIC

A massive 600 lb capacity combined with 0.2 lb increment accuracy.



PADDED ARMRESTS

Retractable armrests allow easy patient access and stability.



Detecto's versatile 6876 bariatric scale features Body Mass Index, "AA" battery or AC power, concealed wheels for quick and easy mobility, steel construction for patient assurance and long-term durability, and a 24 inch square platform.

DETECTO 6876 BARIATRIC SCALE

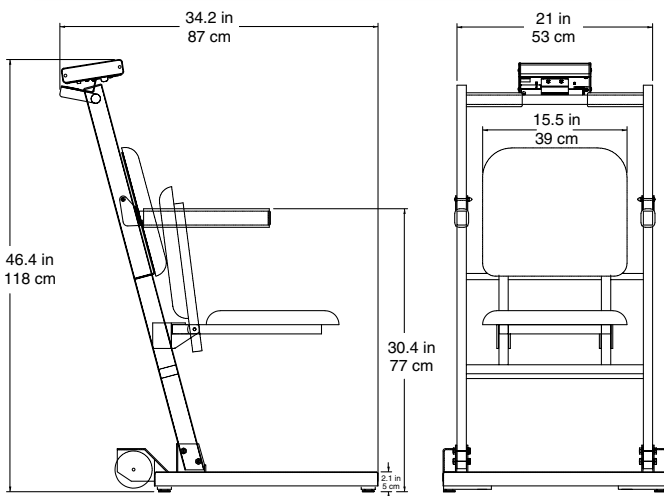


The **ONLY**
SCALE ON
THE MARKET
offering all of these
FEATURES.



VITAL SIGN CAPTURING STATION

With the patient seated comfortably, the 6876 becomes more than just a scale - it's a patient monitoring station for gathering a range of data from one location. Weight and Body Mass Index recording only begin the options available from one location. The seat with padded armrests allows blood pressure to be taken right after the weight is captured without relocating the patient.



RETRACTABLE IN 3 POINTS

The seat and armrests flip up and down to allow weighing in a standing or sitting position, while also providing wheelchair transfer access.



The LCD display is powered by "AA" batteries or an AC adapter. The easy-to-use BMI calculator with scroll feature to input height allows you the ease of BMI calculation while weighing. The Lock/Release key allows weight to be viewed after the patient leaves the scale.

SPECIFICATIONS

CAPACITY:	600 lb x 0.2 lb / 270 kg x 0.1 kg
POWER:	6 "AA" size Alkaline, Ni-Cad or NiMH batteries (not included) OR an optional 100 to 240 VAC 50/60Hz 12 VDC 1A wall plug-in UL/CSA listed AC power supply
LCD DISPLAY:	0.75 inch high digits
SHIPPING WEIGHT:	146 lb / 66 kg
CONSTRUCTION:	Baked-on, powder-painted steel

Detecto Scale reserves the right to improve, enhance, or modify features and specifications without prior notice.

DETECTO
A Division of Cardinal Scale Manufacturing Co.
203 E. Daugherty, Webb City, MO 64870 USA
Ph: 417-673-4631 or 1-800-641-2008 Fax: 417-673-5001
www.Detecto.com

Sold By:



MADE IN USA