



MODEL
253/2531
BABY SCALE
Owners Manual

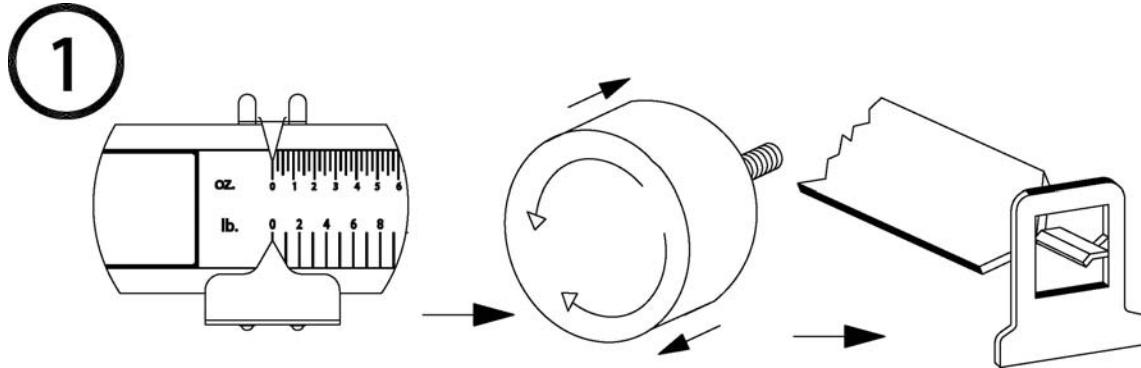
0025-M062-O1 Rev A
08/03

CARDINAL SCALE MFG. CO.
PO BOX 151 • WEBB CITY, MO 64870
PH (417) 673-4631 • FAX (417) 673-5001
Web Site - <http://www.detectoscale.com>

Printed in USA

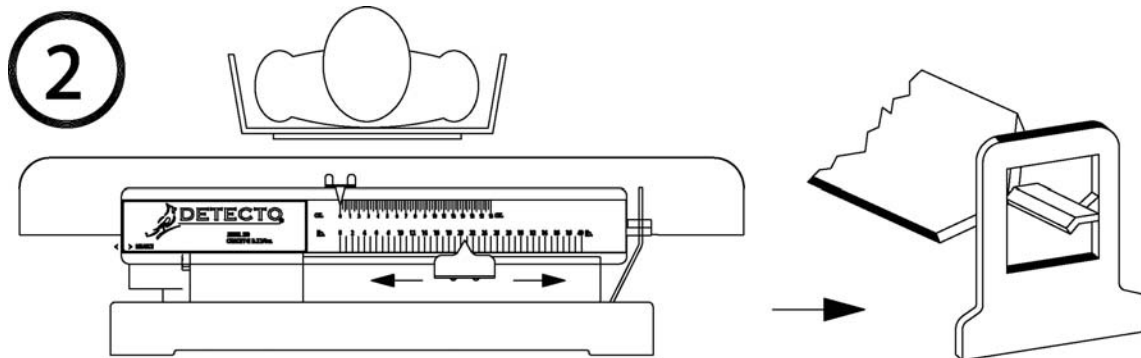
UNPACKING AND SET-UP INSTRUCTIONS

1. Remove scale and packing from carton.
2. Remove packing from ends of scale.
3. Remove packing from around beam.
4. Set scale on firm level surface.
5. With poise set at capacity, press firmly down on center of baby tray 3 or 4 times, raising the beam. This should realign parts moved during shipment.
6. To zero scale, rotate the balance ball until beam centers in the trig loop. (Balance ball is the black cylinder shape on the left side of beam). Refer to Figure 1.

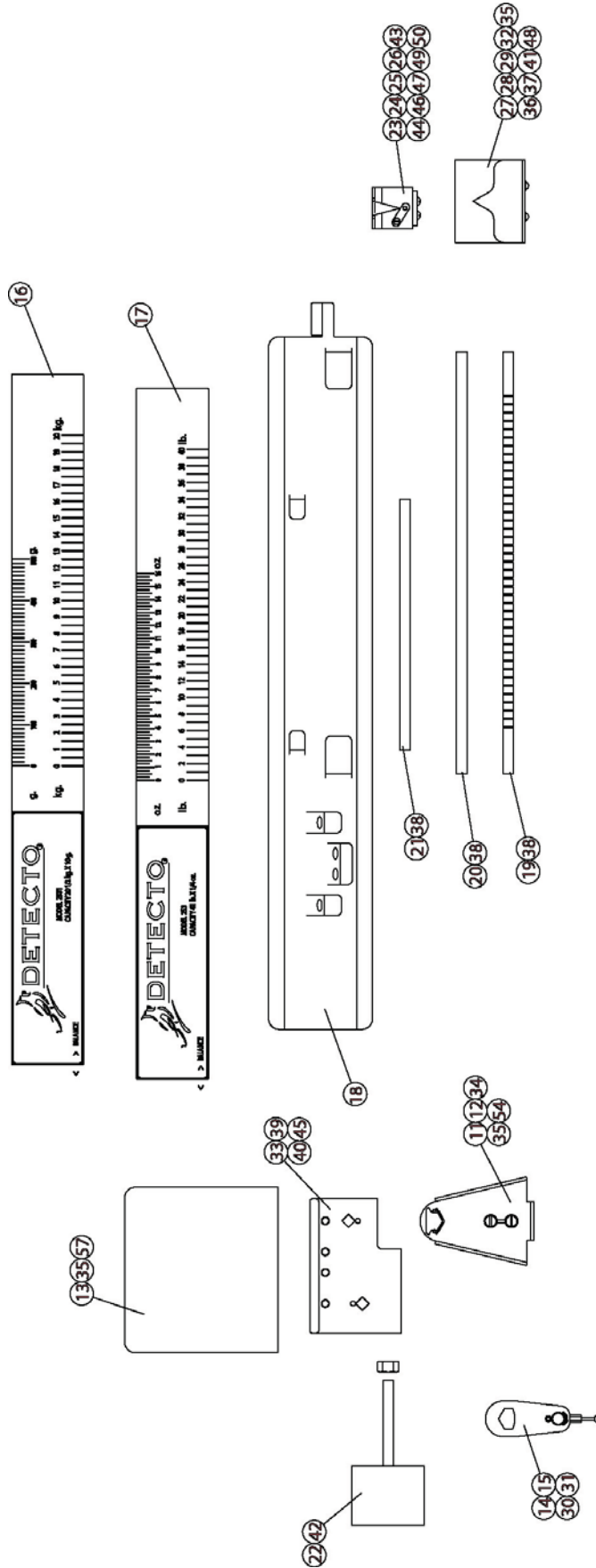


OPERATING INSTRUCTIONS

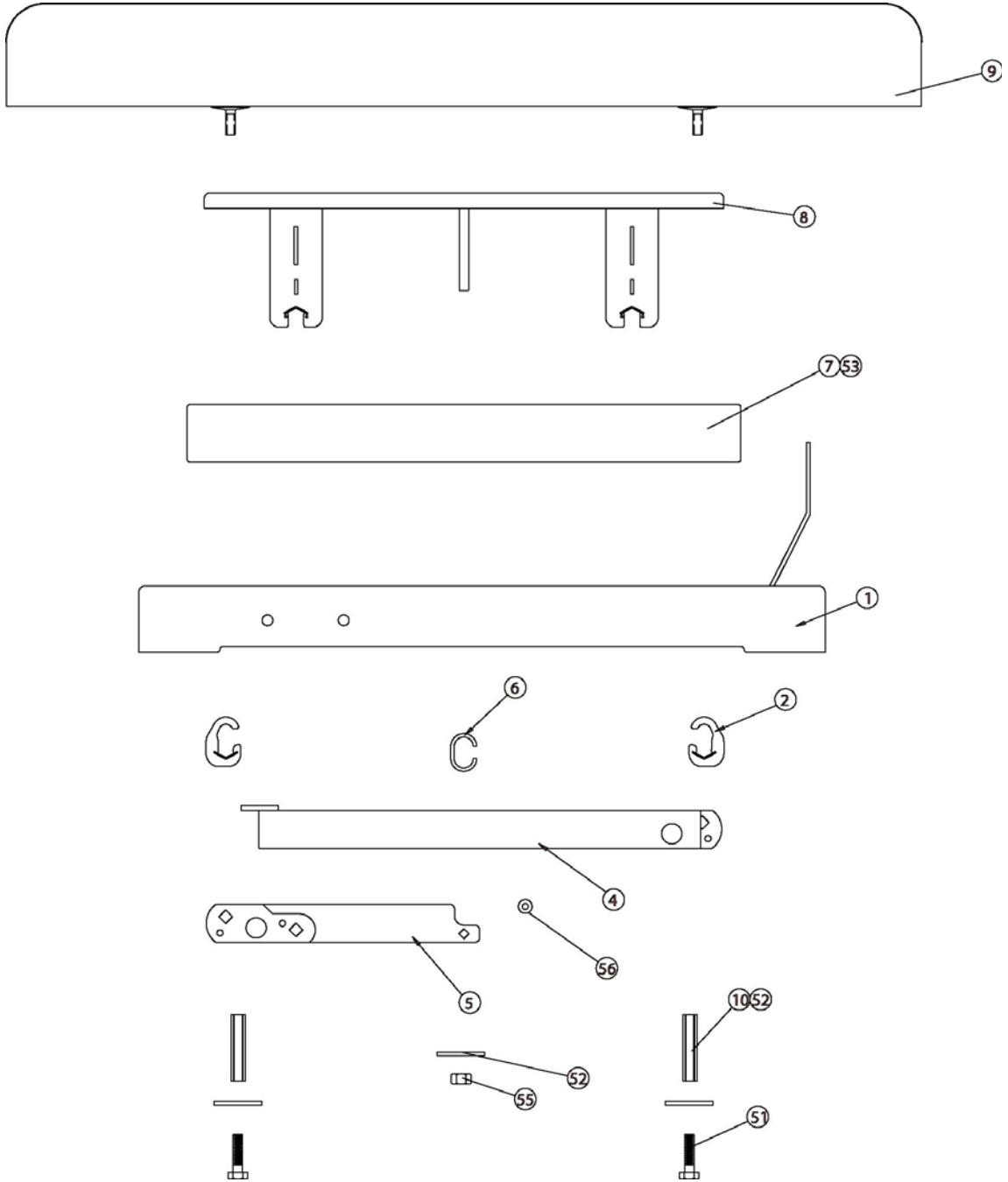
1. Referring to Figure 2, place blanket or covering on tray.
2. Before weighing, make certain scale is at zero (refer to Figure 1 and step 6 of Unpacking and Set-Up Instructions).
3. Place infant on scale.
4. Lift the large poise and slide it until the beam tip starts to bottom in the trig loop.
5. Slide the small poise until the beam centers in the trig loop.
6. Read and record weight.
7. Remove infant and blanket covering from tray.



PARTS IDENTIFICATION



PARTS IDENTIFICATION, Cont.



PARTS IDENTIFICATION, Cont.

2	2	57	6013-0039	NUT HEX	#6-32 Z/P
1	1	56	6540-1051	RUBBER TIP	5/32" I.D. x 23/64" O.D. x 17/32" LG.
2	2	55	391RV204	NUT HEX	1/4-20 ELASTIC STOP
1	1	54	6021-1235	SCREW HEX HD	SELF TAP #10 X .5 Z/P
4	4	53	6021-0670	SCREW HEX HD	#8 X .25 TYPE B Z/P
6	6	52	650RC31	WASHER FLAT	9/32 ID X 5/8 OD
2	2	51	6007-0021	SCREW HEX HD	.25-20UNC X .625 Z/P
1	1	50	6021-1041	SCW FLAT PT SET	.375-16UNC-2A X .25 NYLON
2		49	6021-0403	SCREW RD HD	#4-40UNC-2B X .25 Z/P
4	4	48	6021-0607	SCREW RD HD	6-32UNC-2A X .187 Z/P
1	1	47	6021-0100	SCREW RD HD	DRIVE #2 X .125 Z/P
1	1	46	6650-1112	BEARING	1/8" DIA.
2	2	45	6021-2043	SCREW RD HD	8-32UNC-2A X .25 Z/P
2	2	44	6680-0026	WASHER LOCK	INT TOOTH #4 TYPE A Z/P
2	2	43	6021-0425	SCREW RD HD	4-40UNC-2A X .187 Z/P
1	1	42	6013-0045	NUT HEX	1/4-20 Z/P
1	1	41	6021-2030	SET SCREW	8-32-UNC-2B X 3/8" LG
2	2	40	6024-0049	WASHER LOCK	EXT TOOTH #10 TYPE A Z/P
2	2	39	6021-1033	SCREW RD HD	10-32 X .250 Z/P
6	6	38	6021-0822	SCREW RD HD	8-32 X .375 Z/P
2		37	6021-2044	SCREW RD HD	#6-32UNC-2B X .25 Z/P
1	1	36	22B31	SET SCREW	10-32 THREAD
8	6	35	6024-1022	WASHER FLAT	#6 TYPE A Z/P
4	4	34	6021-0837	SCREW HEX HEAD	#6-32UNC-2A X 1/4" TYPE F Z/P
1	1	33	0025-B012-0A	FULCRUM BLOCK ASSY	
1		32	0025-B038-08	MAJ. POISE PLATE	
2	2	31	6009-5082	COTTER PIN	1/16" DIA. X 1/2" LG
1	1	30	0044-B224-0A	BALL CABLE ASSY	
1	1	29	0025-B037-08	SEALING CAP	
QTY.	QTY.	ITEM	PART/DWG.	DESCRIPTION	MATERIAL OR
2531	253	ASSY	NUMBER		SOURCE

PARTS IDENTIFICATION, Cont.

1	1	28	0025-B036-08	BEAM POINTER	
1	1	27	0025-C027-08	MAJOR POISE	
1		26	0025-B039-08	MINOR POISE PLATE	
1	1	25	0025-B047-08	FLAT SPRING	
1	1	24	0025-B019-08	MINOR POINTER	
1	1	23	0025-B018-08	MINOR POISE	
1	1	22	0025-B017-0A	BALANCE WEIGHT ASSY	
1	1	21	0025-B016-08	MIN. POISE SLIDE ROD	
1	1	20	0025-B015-08	MAJ. POISE SLIDE ROD	
1	1	19	0025-C014-08	POISE INDEX ROD	
1	1	18	0025-D013-08	BEAM	
	1	17	0025-D011-08	BEAM INSERT	lb
1		16	0025-D035-08	BEAM INSERT	kg
1	1	15	0025-B055-08	SPOOL, BEAM	
2	2	14	0025-B056-08	BEAM SIDE HANGER	
1	1	13	0025-B057-0A	FULCRUM COVER	
1	1	12	0025-B060-08	FULCRUM BRACE	
2	2	11	0025-B021-08	FULCRUM STAND	
2	2	10	0025-B052-08	WEIGHBRIDGE CHECK	
1	1	9	0025-D041-0A	BABY TRAY ASSY	
1	1	8	0025-D007-0A	WEIGHBRIDGE ASSY	
1	1	7	0025-D026-08	COVER	
1	1	6	0025-B003-08	CENTER HANGER	
1	1	5	0025-C033-1A	SHORT LEVER ASSY	
1	1	4	0025-C029-1A	LONG LEVER ASSY	
		3			
4	4	2	0025-B005-0A	HANGER	
1	1	1	0025-D006-0A	BASE WELDMENT	
QTY.	QTY.	ITEM	PART/DWG. NUMBER	DESCRIPTION	MATERIAL OR SOURCE
2531	253	ASSY			

