



MODELS
243, 2431, 2441
and 2431UN
BABY SCALE
Owners Manual

0020-M037-O1 Rev A
07/04

CARDINAL SCALE MFG. CO.
PO BOX 151 • WEBB CITY, MO 64870
PH (417) 673-4631 • FAX (417) 673-5001
Web Site - <http://www.detectoscale.com>

Printed in USA

UNPACKING AND SET-UP INSTRUCTIONS

1. Remove scale and packing from carton.
2. Remove packing from ends of scale.
3. Remove packing from around beam.
4. Set scale on firm level surface.
5. Referring to Figure No. 1, install the baby tray.

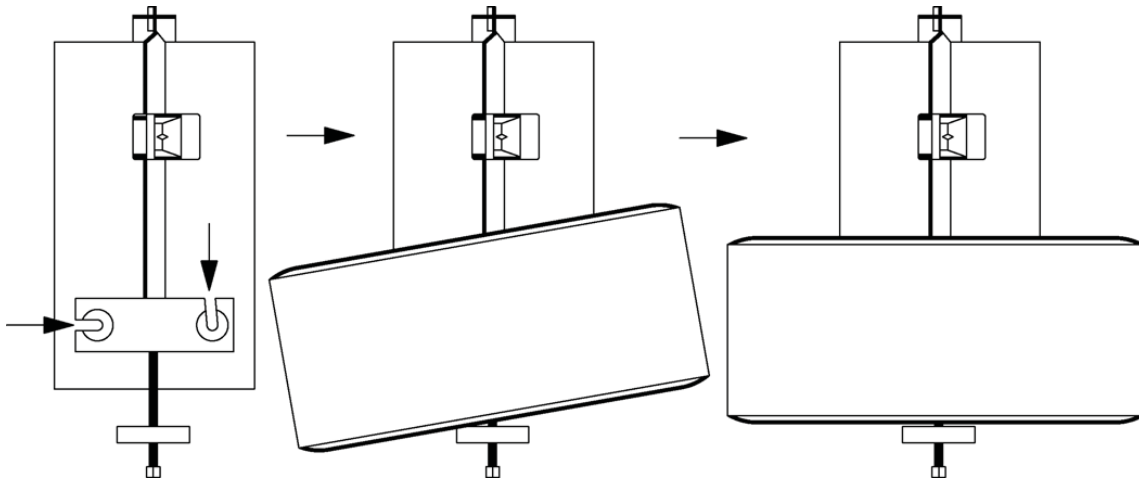


FIGURE NO. 1

6. With poise set at capacity, press firmly down on center of baby tray 3 or 4 times, raising the beam. This should realign parts moved during shipment.
7. To zero scale, rotate the balance ball until beam centers in the trig loop. (Balance ball is the black cylinder shape on the left side of beam). Refer to Figure 2.

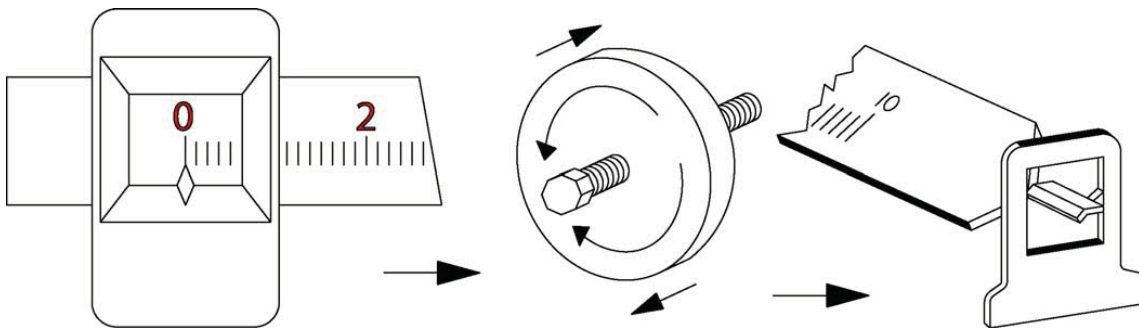


FIGURE NO. 2

OPERATING INSTRUCTIONS

1. Referring to Figure 3, place blanket or covering on tray.
2. Before weighing, make certain scale is at zero (refer to Figure 2 and step 7 of Unpacking and Set-Up Instructions).
3. Place infant on scale.
4. Slide the large poise until the beam tip starts to bottom in the trig loop.
5. Read and record weight.
6. Remove infant and blanket covering from tray.

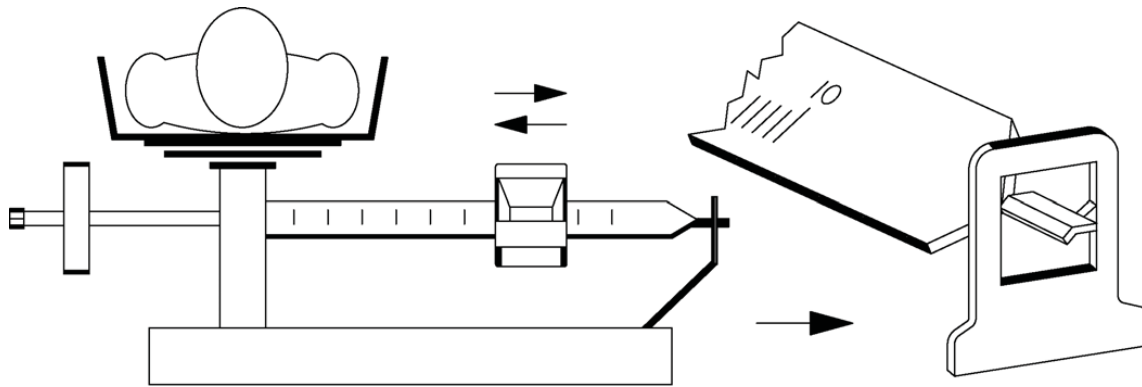
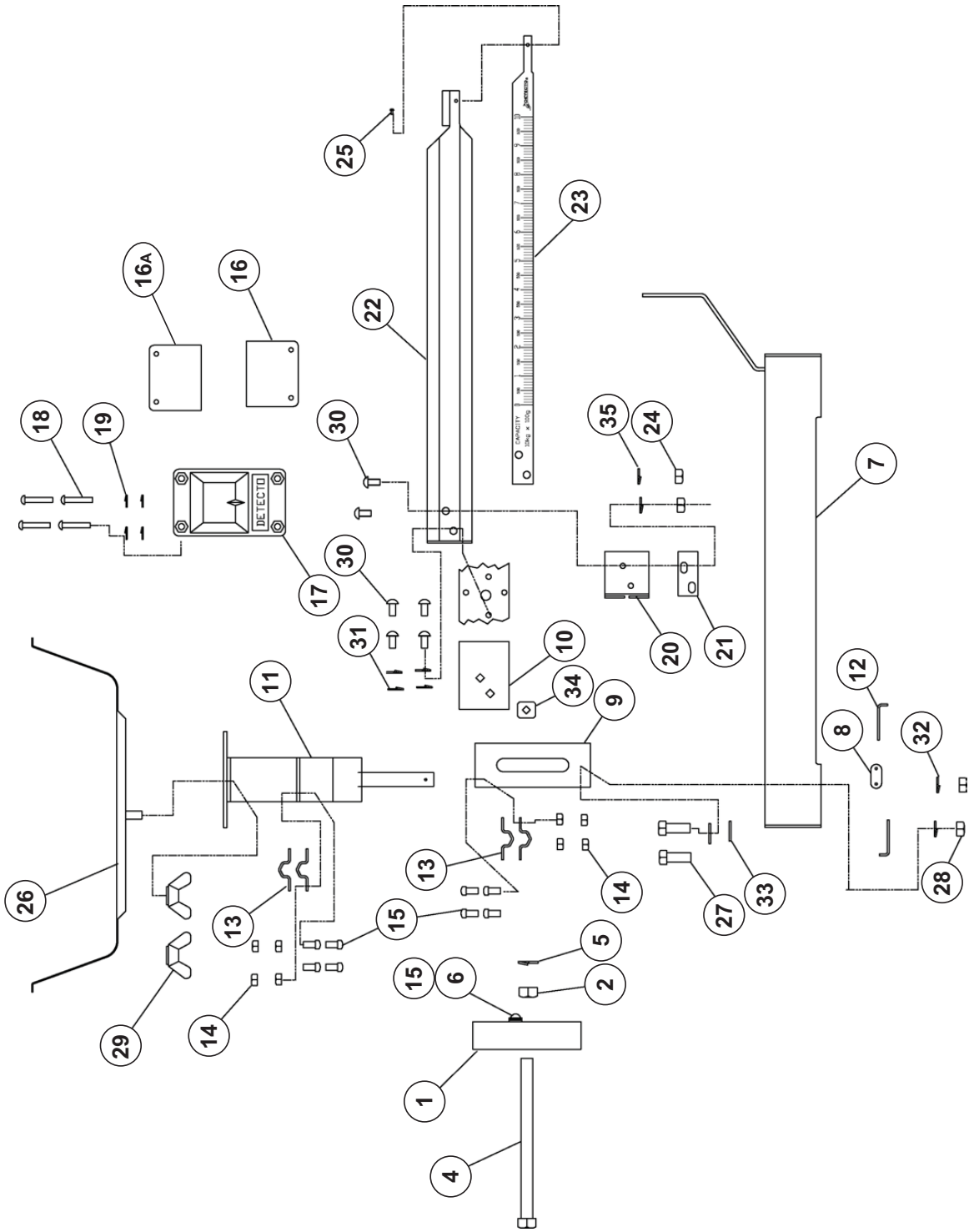


FIGURE NO. 3

PARTS IDENTIFICATION



PARTS IDENTIFICATION, Cont.

ITEM	QTY.	PART NUMBER	DESCRIPTION
1	1	0020-B020-0A 0020-B037-0A	BALANCE BALL ASSY (243, 2431, 2431UN) BALANCE BALL ASSY (2441)
2	1	6013-0077	NUT HEX 3/8-16 SS
4	1	6021-1247 6021-0074	SCW HEX HD 3/8-16 X 4.0 (243, 2431, 2431UN) SCW HEX HD 3/8-16 X 5.0 (2441)
5	1	6024-0046	WASHER LOCK 3/8
6	3	6980-0069	WASHER FLAT #8 NYLON .171 X .375 X .06
7	1	0020-C002-1A	BASE ASSY
8	1	0020-B021-08	TOGGLE BAR
9	1	0020-C004-0A	FULC YOKE ASSY
10	1	0020-C007-0A	BEAM HEAD ASSY
11	1	0020-C014-0A	END YOKE ASSY
12	2	20B1068	PIN
13	4	20B87	BEARING
14	8	6013-0431	NUT HEX #8-32 KEP NUT
15	9	6021-0822	SCW RD HD #8-32 X .375 PHIL DR ZP
16	2	0020-B012-08	POISE BACK (243, 2431, 2431UN)
	1	0020-B041-18	POISE BACK LOWER (2441)
16A	1	0020-B041-08	POISE BACK UPPER (2441)
17	1	0066-D112-08	POISE HALF
18	4	6018-0790	SCW RD HD #8-32 X 1.0
19	4	6024-0032	WASHER LOCK #8
20	1	0020-B013-08	BEAM ADAPTER
21	1	0020-B025-08	POISE STOP
22	1	0020-C008-08	BEAM
23	1	0020-C027-08 0020-C028-08 0020-C009-08 0020-C038-08	INSERT 20 lb X 2 oz (243) INSERT 10 kg X 50g (2431) INSERT 10kg X 100g (2431UN) INSERT 16kg X 100g (2441)
24	2	6013-0297	NUT HEX #10-32 SS
25	1	6021-0100	SCW RD HD DRIV #2 X .125 SS
26	1	0020-C018-0A	TRAY ASSY
27	2	6007-0013	SCW HEX HD .25-20 X .75 SS
28	2	6013-0047	NUT HEX #.25-20 SS
29	2	6013-0426	NUT WING .25-20 NYLON LOCKING
30	6	6021-1013	SCW ROUND HD #10-32 X .375 SS
31	4	6024-0037	WASHER LOCK #10 SS
32	2	6024-0040	WASHER LOCK 1/4" SS
33	2	6024-1064	WASHER FLAT 1/4" SS
34	4	0020-B032-08	FRICTION CLIP
35	2	6024-0049	WASHER LOCK EXT STAR #10

